

DS-2TE127-G4A¹ Blackbody Calibration Source



As a standard radiation source, blackbody calibration sources have been widely used for calibrating infrared light system, measuring material emissivity, measuring infrared sensor parameters, and transmitting temperature between infrared emitter and thermal device.

The Hikvision DS-2TE127-G4A Blackbody Calibration Source is used to calibrate Hikvision Highly Accurate thermographic devices. It serves as a highly accurate temperature reference for calibration.

NOTE: The Hikvision DS-2TE127-G4A Blackbody Calibration Source is designed and calibrated for exclusive use with Hikvision Highly Accurate thermographic cameras.

Key Features

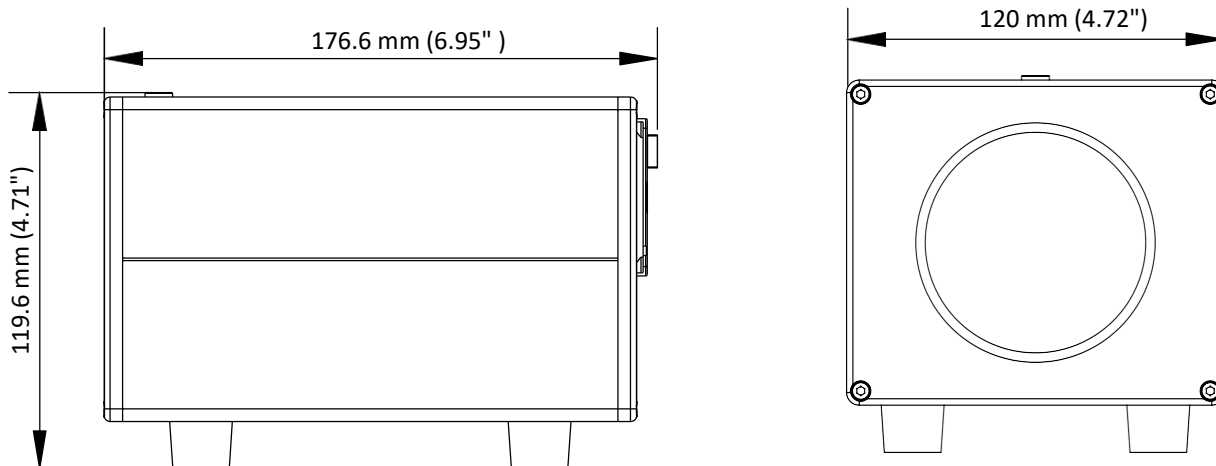
- Calibrates Hikvision Highly Accurate Thermal Devices with High Accuracy
- Supports Different Temperature Settings
- High Accuracy and Stability
- Easy Temperature Calibration and Correction
- Anti-Interference



Specifications

Parameter	
Temperature Range	Environment temperature +9° F (+5° C), up to 122° F (50° C)
Effective Radiating Area	2.76" × 2.76" (70 mm × 70 mm)
Temperature Resolution	0.18° F (0.1° C)
Temperature Accuracy	±0.18° F (±0.1° C)
Temperature Stability	±0.1° C/h
Effective Emissivity	0.97 ±0.02
Power Consumption	20 W
Environment Temperature	32° to 104° F (0° to 40° C)
Weight	4.08 lb (1.85 kg)
Dimensions	4.72" × 6.95" × 4.71" (120 mm × 176.6 mm × 119.6 mm)
Power	100 VAC to 240 VAC
Mounting	Mounting on a plane desk or a tripod with 1/4-20 UNC interface

Dimensions



Available Model

DS-2TE127-G4A

Accessories





HEADQUARTERS

No. 555 Qianmo Road
Binjiang District
Hangzhou 310051, China
T +86-571-8807-5998
overseasbusiness@hikvision.com

NORTH AMERICA

Hikvision USA
18639 Railroad St
City of Industry, CA 91748
T +1-909-895-0400
sales.usa@hikvision.com

Hikvision Canada
4848 rue Levy, St-Laurent
Quebec, Canada, H4R 2P1
T +1-866-200-6690
sales.canada@hikvision.com

Hikvision Mexico
T +52 55 2624 0110
sales.mexico@hikvision.com

SOUTH AMERICA

Hikvision Brazil
T +55-11-3318-0050
Latam.support@hikvision.com

Hikvision Colombia
sales.colombia@hikvision.com

EUROPE

Hikvision Czech
T +420 29 6182640
info.cz@hikvision.com

Hikvision Europe
T +31-23-5542770
sales.eu@hikvision.com

Hikvision France
T +33 1-85-330-450
info.fr@hikvision.com

Hikvision Germany
T +49-69-401507290
sales.adch@hikvision.com

Hikvision Italy
T +39-0438-6902
info.it@hikvision.com

Hikvision Poland
T +48-22-460-01-50
info.pl@hikvision.com

Hikvision Romania
marketing.ro@hikvision.com

Hikvision Russia
T +7-495-669-67-99
saleru@hikvision.com

Hikvision Spain
T +34-91-737-16-55
info.es@hikvision.com

Hikvision UK & Ireland
T +01628-902140
sales.uk@hikvision.com

MIDDLE EAST

Hikvision Israel
T +972-79-5555590
sales.israel@hikvision.com

Hikvision Turkey
T +90 216 521 707(0, 1, 2, 3, or 4)
sales.tr@hikvision.com

Hikvision UAE
T +971-4-4432090
salesme@hikvision.com

OCEANIA

Hikvision Australia
T +61-2-8599-4233
salesau@hikvision.com

ASIA

Hikvision Azerbaijan
T: +994 50 369 81 57

Hikvision India
T +91-22-28469900
sales@pramahikvision.com

Hikvision Indonesia
T +62-21-2933759
Sales.ndonesia@hikvision.com

Hikvision Kazakhstan
T +7-727-9730667
nikia.panfilov@hikvision.ru

Hikvision Korea
T +82-(0)31-731-8817
sales.korea@hikvision.com

Hikvision Malaysia
T +601-7652-2413
sales.my@hikvision.com

Hikvision Pakistan
+92-2135147526
support.pk@hikvision.com

Hikvision Philippines
sales.ph@hikvision.com

Hikvision Singapore
T +65-6684-4718
sg@hikvision.com

Hikvision Tashkent
T +99-87-1238-9438
uzb@hikvision.ru

Hikvision Thailand
T +662-275-9949
sales.thailand@hikvision.com

Hikvision Vietnam
T +84-974270888
sales.vt@hikvision.com

AFRICA

Hikvision South Africa
T +27877018113
sale.africa@hikvision.com

¹ **U.S. Disclaimer:** Hikvision USA Inc. products depicted herein are not FDA approved medical devices and are not intended for use in the diagnosis of disease or other conditions, or in the cure, mitigation, treatment, or prevention of disease. When configured correctly, the Hikvision products discussed herein can identify elevated human skin-surface temperature relative to a sample population.

Canada Disclaimer: Hikvision's Thermographic Cameras are designed for immediate detection and preliminary screening of elevated skin-surface temperature in high-traffic areas. When measuring core body temperature, please verify through the use of clinical measurement devices and/or by consulting a medical professional. Hikvision's Thermographic Cameras must be used in accordance with local laws and regulations.